

**Mounting Options**  
**AP300, AP320i, AP332, AP433, AP1000**



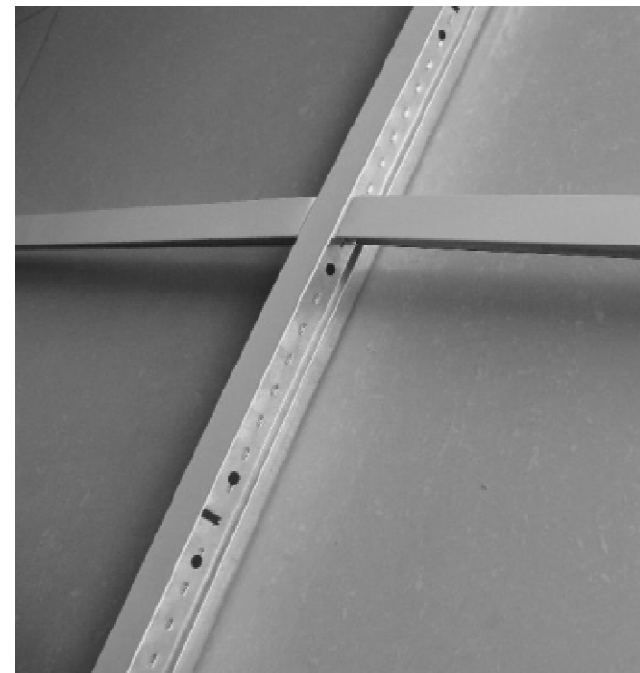


## Several ways to install Access Points

- 1. Below a suspended ceiling
- 2. Below a recessed suspended ceiling or with narrow T-bars
- 3. Below a suspended ceiling with Interlude/Silhouette T-Bars
- 4. Above a suspending ceiling
- 5. Vertically on a wall
- 6. In a Hoffman Enclosure
- 7. On a shelf
- 8. Locking the access points



## 1. Below a suspended ceiling

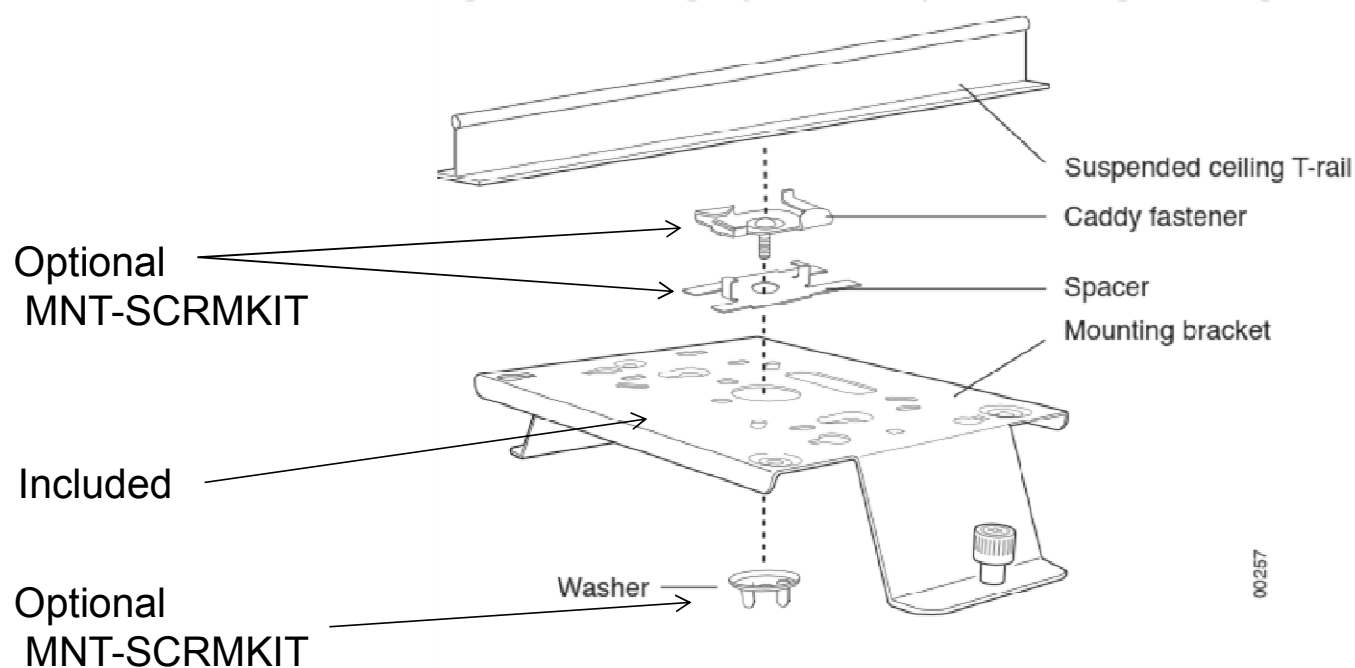


- “Regular” suspended Ceiling 15/16” T-Bars
- The tiles are slightly above the grid



## 1. Below a suspended ceiling

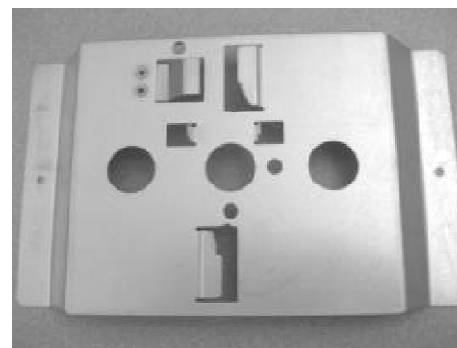
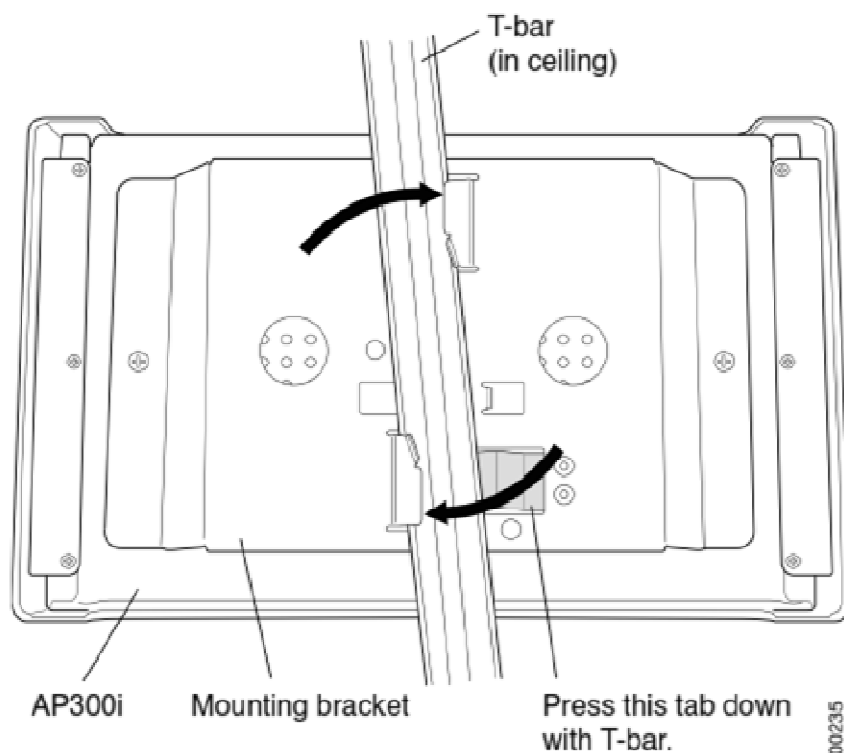
- To mount an AP300 below a suspended ceiling
  - Mounting bracket is included
  - Spacer and caddy fastener needs to be ordered separately: Part Number: MNT-SCRMKIT



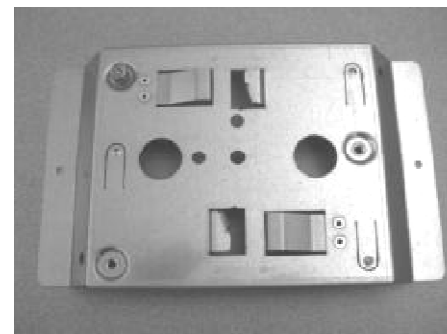


# 1. Below a suspended ceiling

- Mounting kit for AP320i (included)



*AP320i Old Mounting Kit*

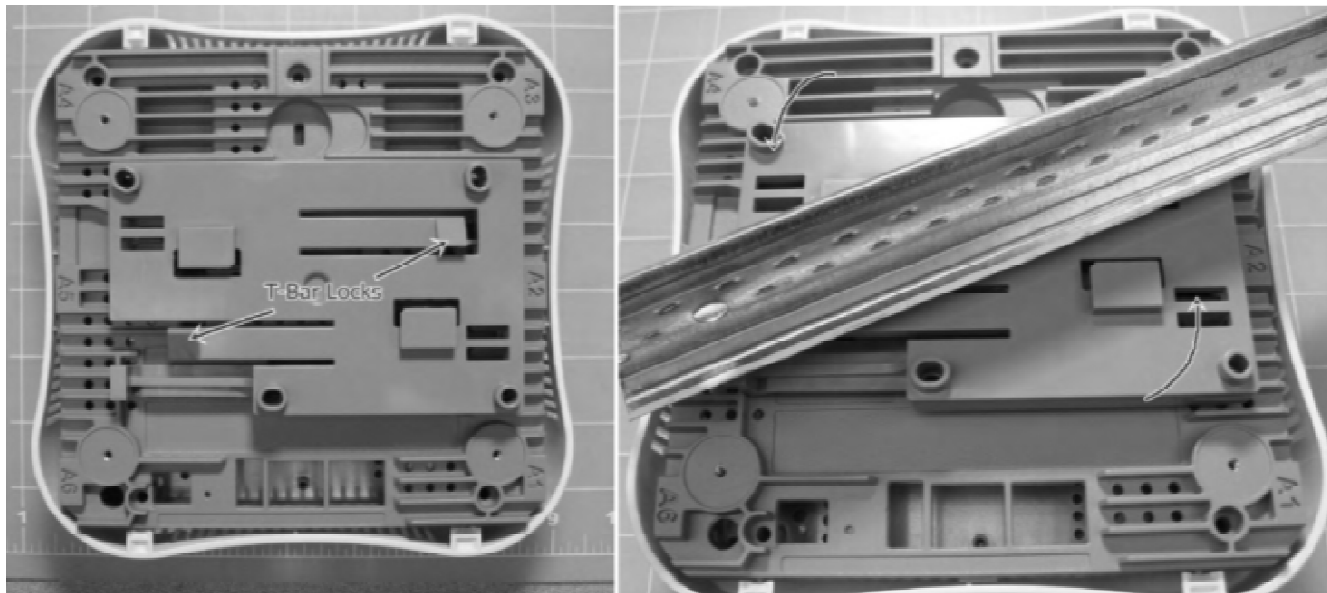


*AP320i New Mounting Kit as of Rev N*



## 1. Below a suspended ceiling

- Mounting kit for AP332e/i (included)

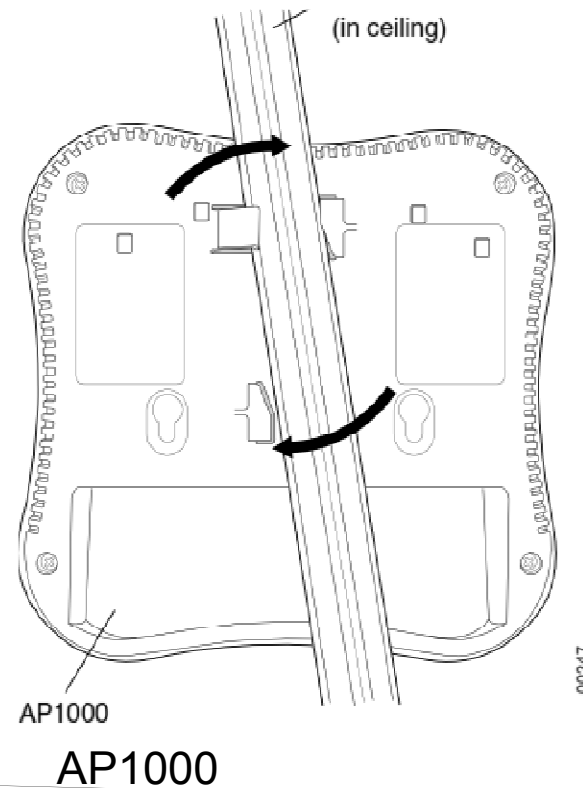
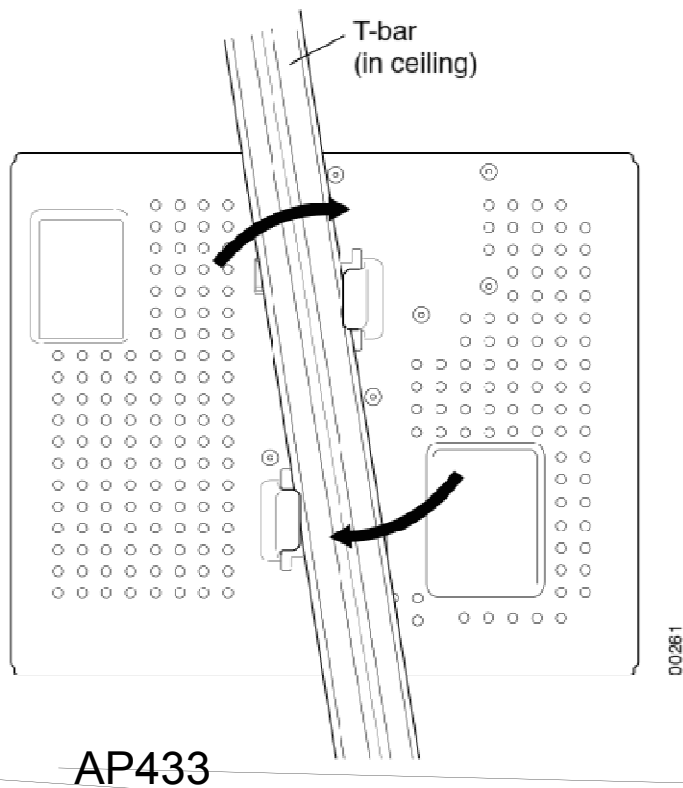


- Slide the provided 15/16" T-Bar adapter until it locks in place
- Press the AP and bracket against the rail and twist to lock it into place.



# 1. Below a suspended ceiling

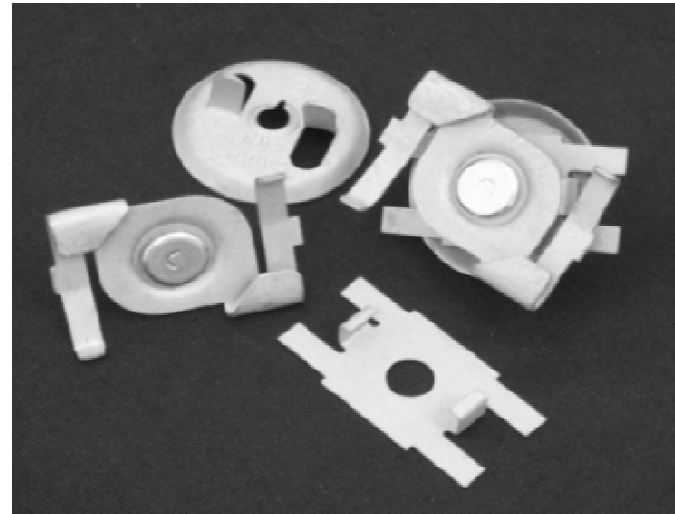
- Mounting kit for AP433 and AP1000 (built-in)





## 1. Below a suspended ceiling

- What parts do you need for a suspending ceiling?
  - AP ships ready to mount on a regular suspended ceiling (except for AP300) with 15/16" T-Bars
  - Spare parts for AP300:
    - MNT-SCRMKIT (required to mount AP300 below suspended ceilings)
      - Mounting kit available as a spare part in the price book for AP150, AP200, AP300 models
    - AP300-MNT (spare part)
      - Spare: Mounting Bracket and Screws for AP300. This bracket ships by default with the AP300 at no charge

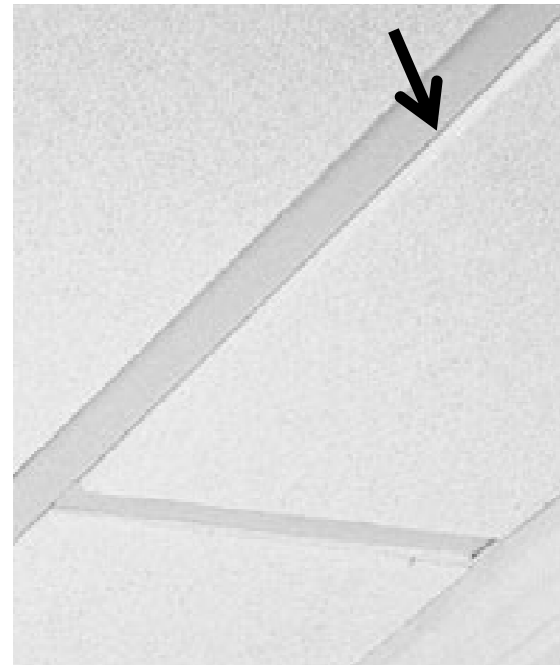
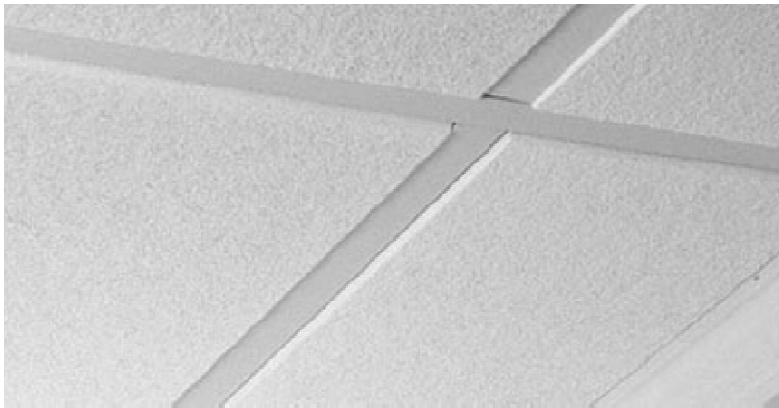


MNT-SCRMKIT





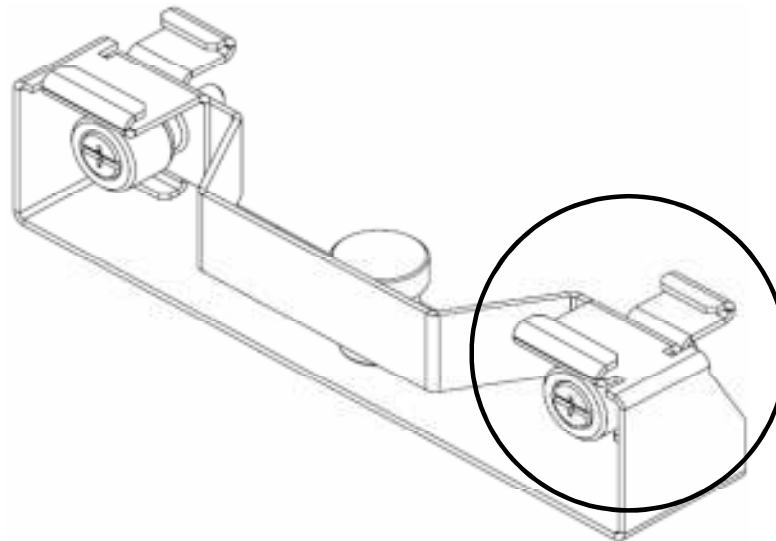
## 2. Below a recessed suspended ceiling or narrow T-bars



- Pictures above show a recessed ceiling
- The tiles are slightly below the grids



## 2. Below a recessed suspended ceiling or narrow T-bars



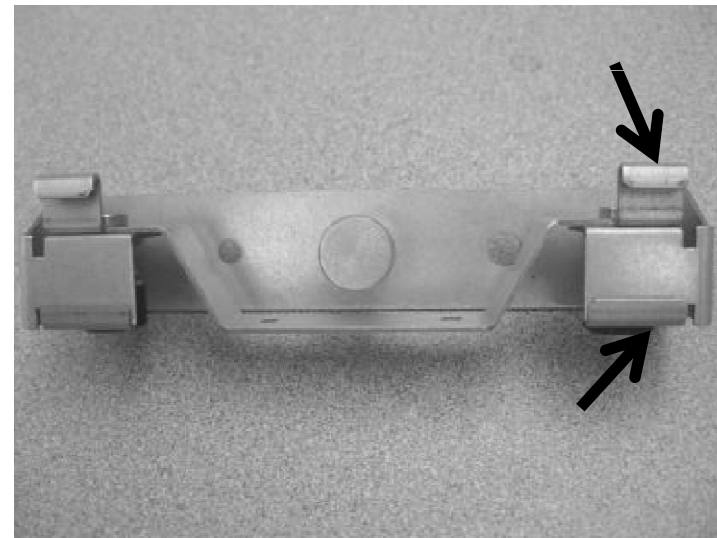
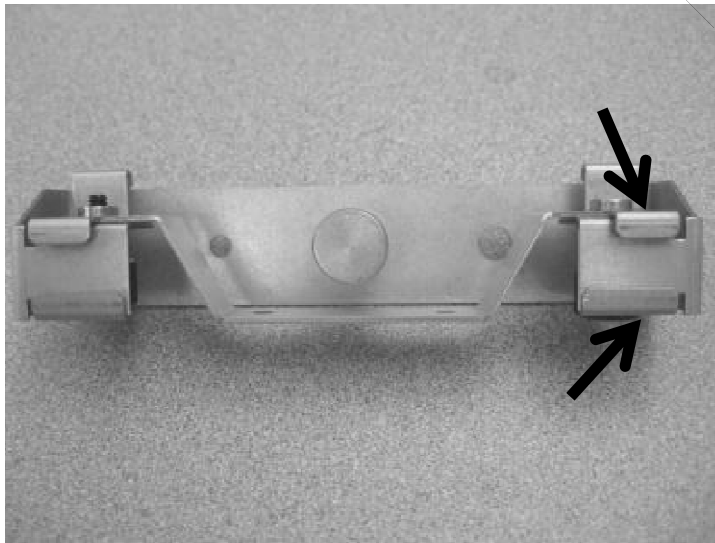
*Bracket for recessed ceiling or narrow T-Bars*

- Allow to attach to a recessed ceiling by extending the distance from the ceiling rail to the AP.
- This kit is adjustable and can be used on either a wide or thin ceiling rail.
- Available for the AP320i, AP332, AP433 and AP1000.



## 2. Below a recessed suspended ceiling or narrow T-bars

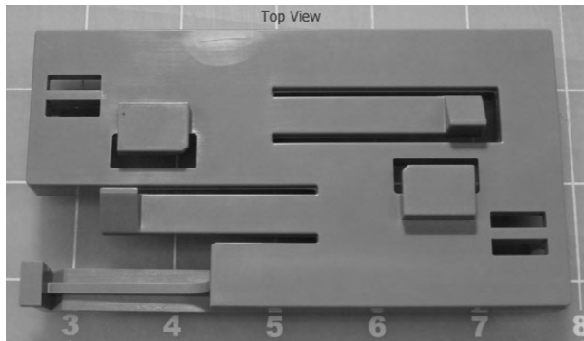
- > Adjustable to be used on either a wide or thin ceiling rail
  - > Metal plate can be flipped over for thin ceiling rails
- > Minimum width: 0.5"
- > Maximum Width: 1" (MNT-SCRMKIT-03), 1.25" (MNT-SCRMKIT-02)



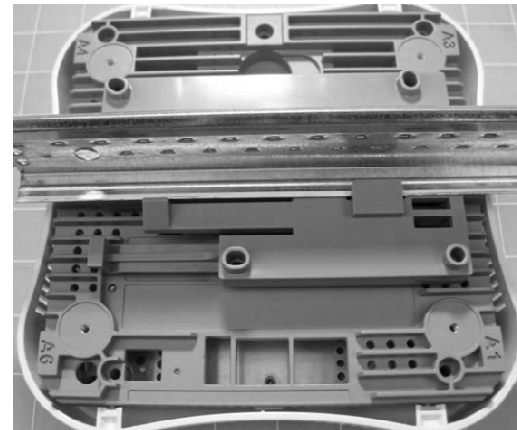


## 2. Below 9/16" T-bars (AP332)

- > AP332 includes a 9/16" adapter T-Bar.
- > AP332 can be mounted below narrow T-Bars without any other option.
- > Same installation method as standard 15/16" T-Bar
  - > Slide the provided 9/16" T-Bar adapter until it locks in place



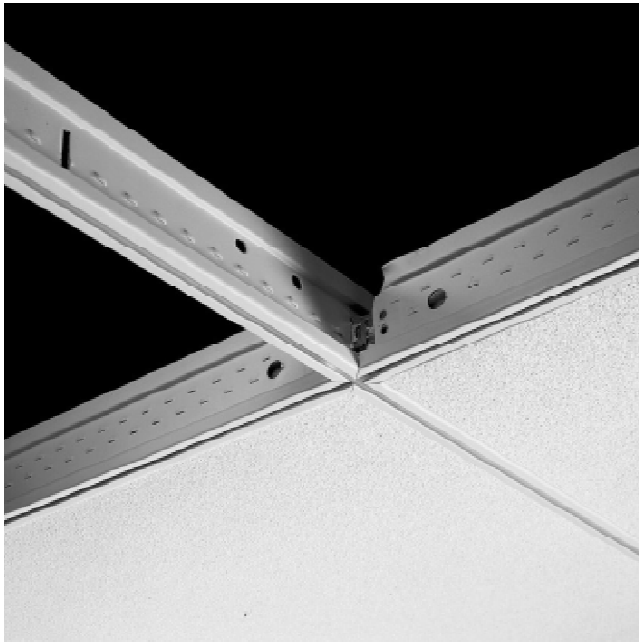
*9/16" T-Bars adapter for AP332*



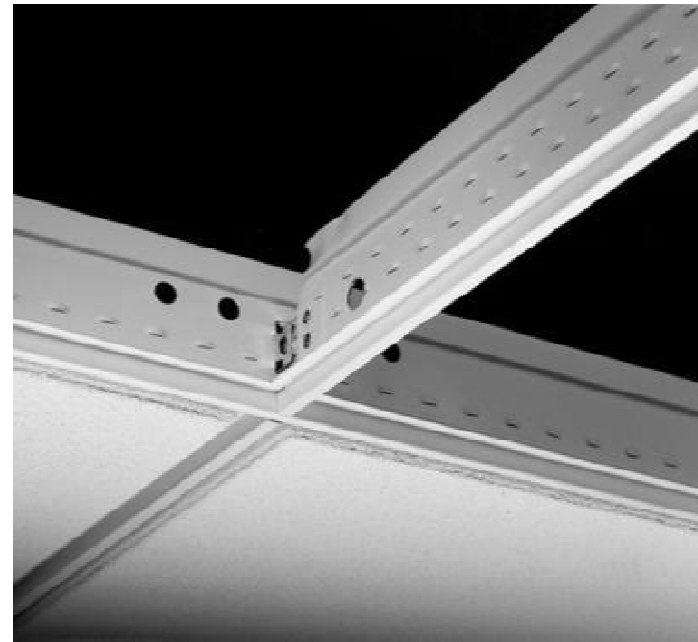
*AP332 with T-Bar adapter*



### 3. Below a suspended ceiling with Interlude/Silhouette T-Bars



SILHOUETTE type

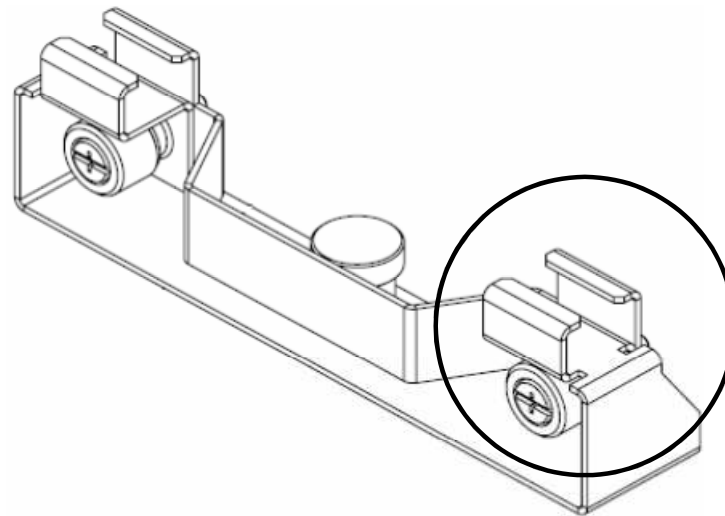


INTERLUDE type

- 2 other types of recessed ceiling



### 3. Below a suspended ceiling with Interlude/Silhouette T-Bars

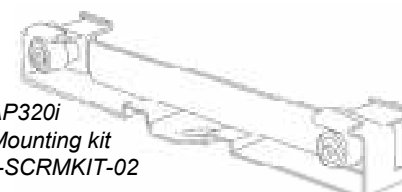


Bracket for INTERLUDE/SILHOUETTE type ceiling  
for AP320i (as of rev. N), AP332, AP433 and AP1000

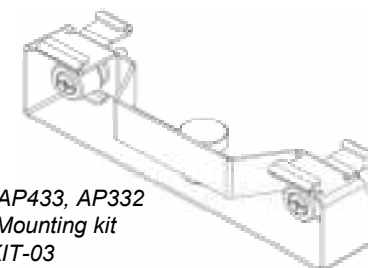


## Below a recessed suspended ceiling, narrow T-bars or ceiling with Interlude/Silhouette T-Bars

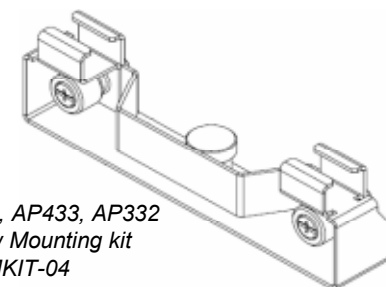
- What options are available for a recessed suspending ceiling and narrow T-Bars?
- For recessed ceilings or narrow T-bars
  - MNT-SCRMKIT-02 (5 packs)  
For AP320i old mounting kit (before AP320i Rev. N)
  - MNT-SCRMKIT-03 (5 packs)  
For AP1000, AP433, AP332 and AP320i new mounting Kit (as of AP320i Revision N)
  - *Note that AP332 includes a 9/16" T-Bar adapter, to be mounted directly on narrow T-Bars*
- For Interlude/Silhouette ceilings
  - MNT-SCRMKIT-04 (5 packs)
    - for AP1000, AP433, AP332 and AP320i new mounting kit (as of AP320i Revision N)



For AP320i  
Old Mounting kit  
MNT-SCRMKIT-02



For AP1000, AP433, AP332  
AP320i New Mounting kit  
MNT-SCRMKIT-03

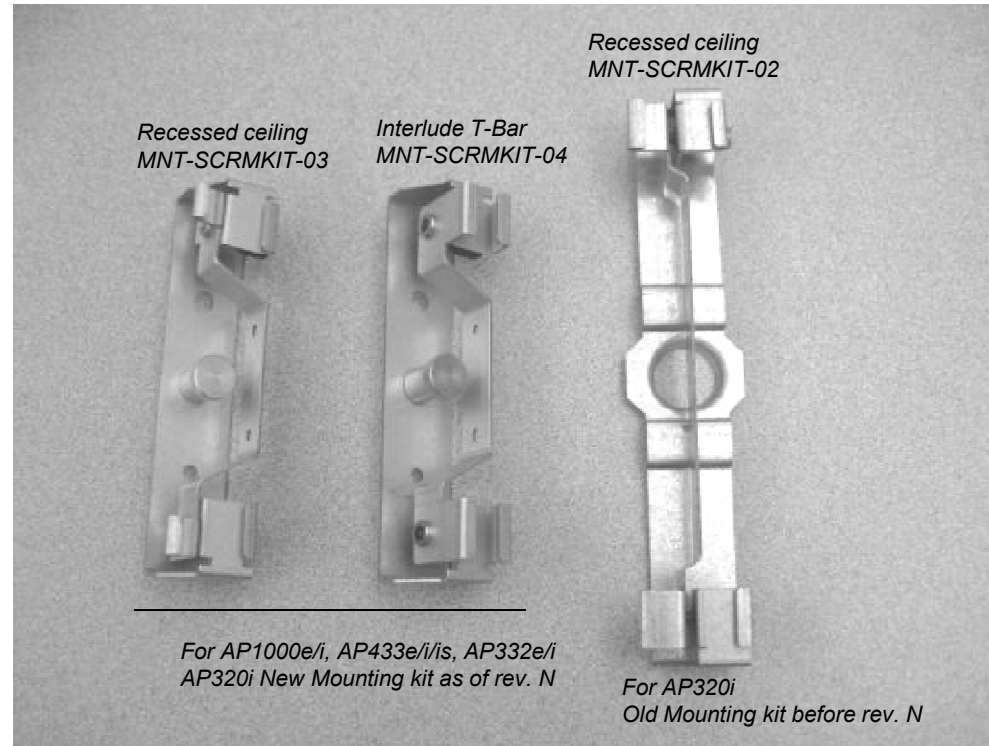


For AP1000, AP433, AP332  
AP320i New Mounting kit  
MNT-SCRMKIT-04



## Below a recessed suspended ceiling or ceiling with Interlude/Silhouette T-Bars

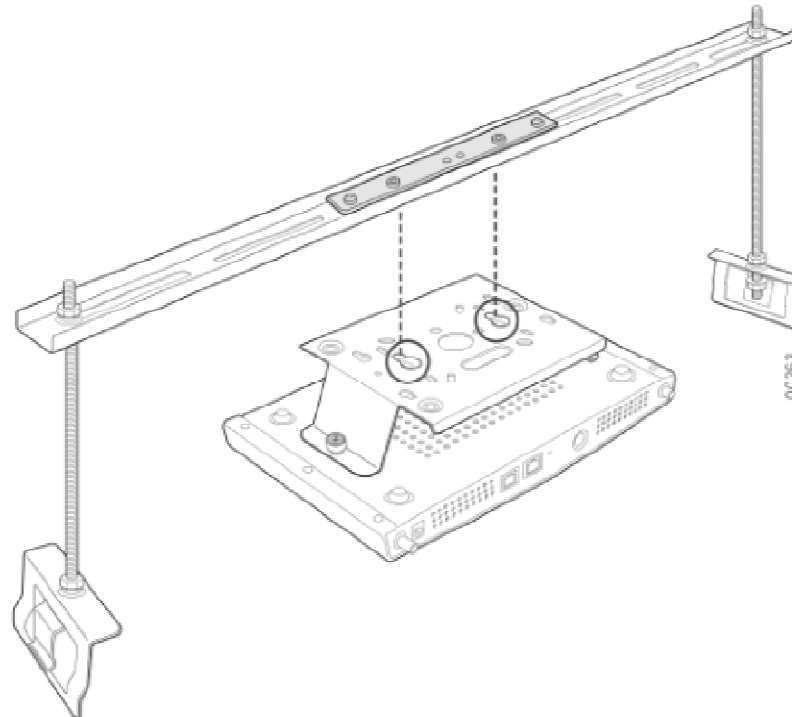
- Old / New Recessed Ceiling Mounting kits for AP320i
  - *New ceiling mounting kits available for AP320i as of revision N*







#### 4. Above a suspending ceiling

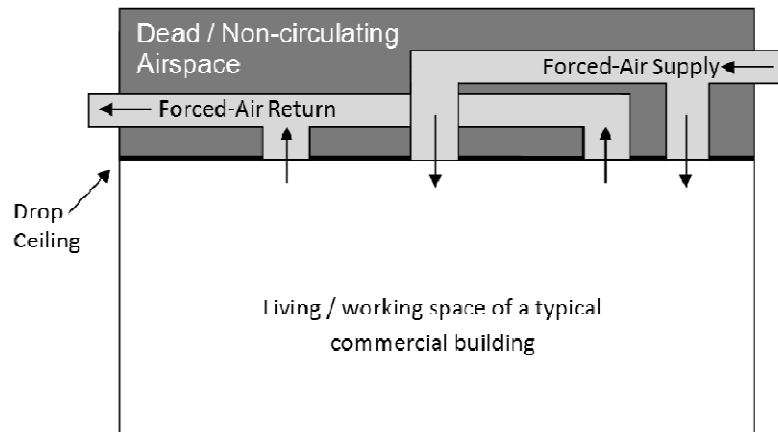


- T-Bar Box Hanger Mounting Kit available for AP300, AP320i, AP332, AP433 and AP1000

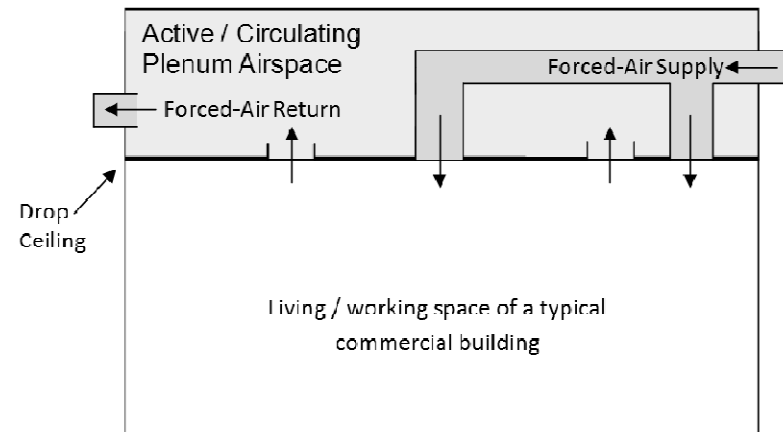


## 4. Above a suspending ceiling: Plenum Airspace

- Cables and other devices in plenum spaces may be a hazard in the event of a fire.
- Airflow present in the plenum space supplies fresh oxygen to the flame.



*A building without a plenum airspace.*



*A building with a plenum airspace.*

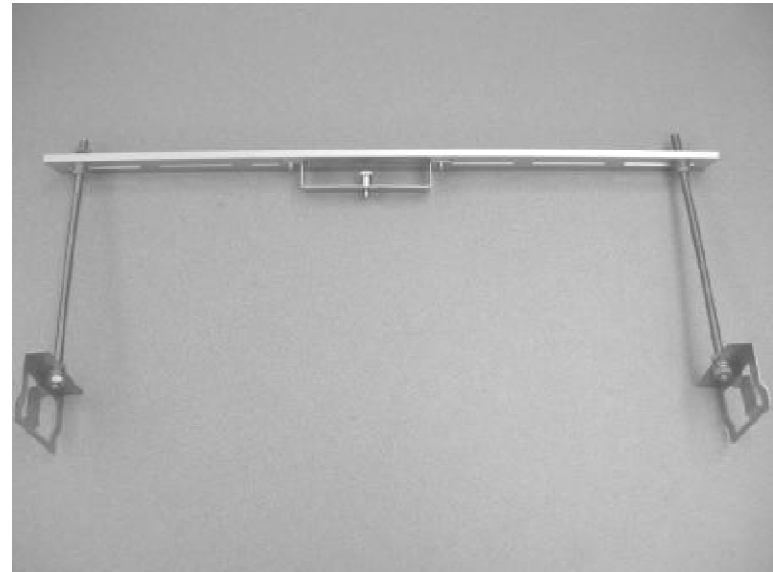
- > AP300, AP332e, AP433e, AP1000e with metal enclosure exposed
  - Suitable for use in environmental air handling space in accordance with Section 300-22(c) of the National Electrical Code (NEC)
- > AP320i, AP332i, AP433i, AP1000i with plastic cover are not suitable for use in air handling space



## 4. Above a suspending ceiling

What part do you need to install above a suspending ceiling?

- MNT-ASCMKIT-02
  - Suspended Above Ceiling Mounting Kit (T-Bar Hanger)
  - Works with AP300, AP320i, AP332, AP433 and AP1000





## 5. Vertically on a wall

- Wall Mount Bracket shipped with AP300 and AP320i

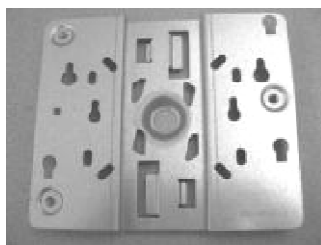
*AP300 Wall Mounting kit*



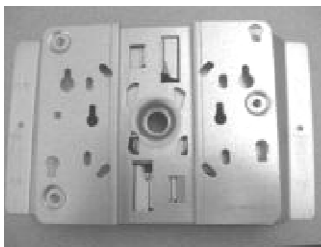
*AP320i Wall Mount Kit  
before rev. N*



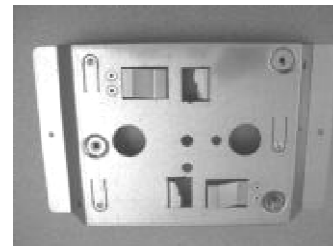
+



=



*AP320i Wall Mount kit  
as of rev. N*



+



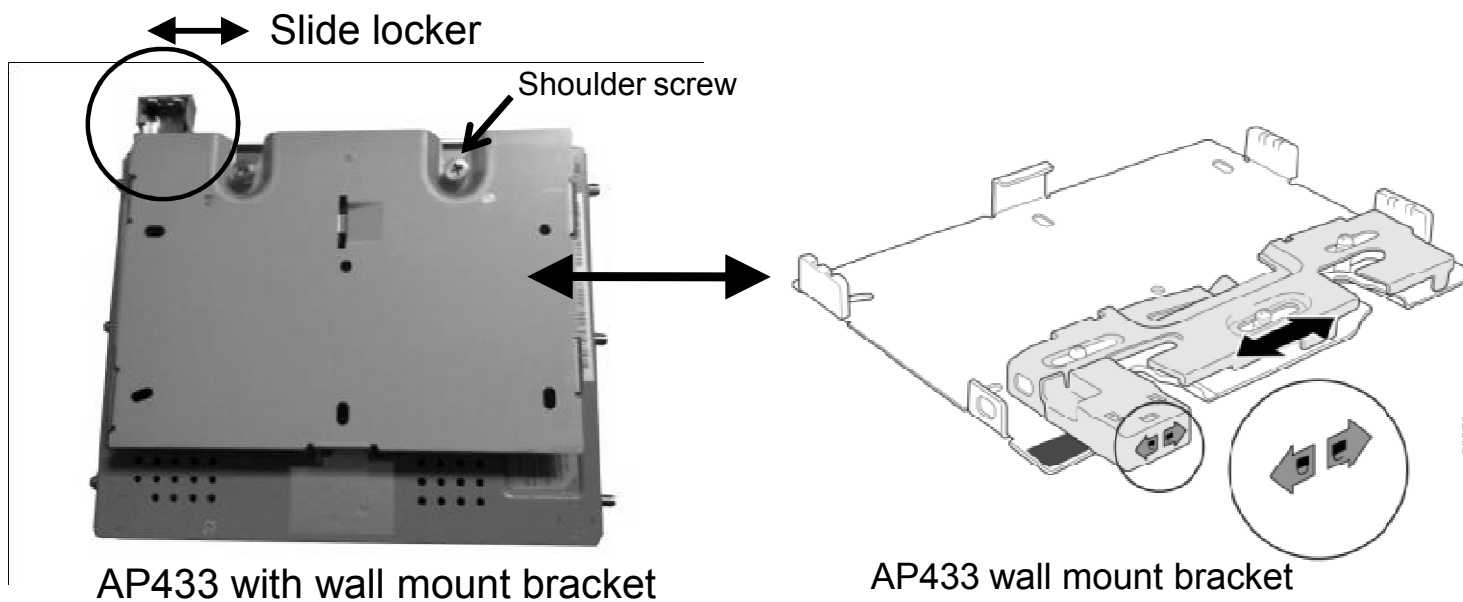
=





## 5. Vertically on a wall

- AP433 wall mount bracket

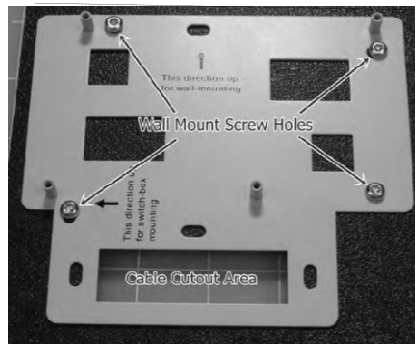


- > Slide wall bracket to the AP433 with shoulder screws, and lock it with slide locker

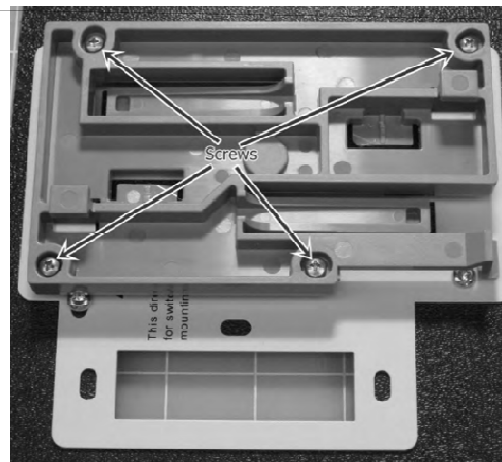


## 5. Vertically on a wall

- AP332 wall mount bracket



1



2



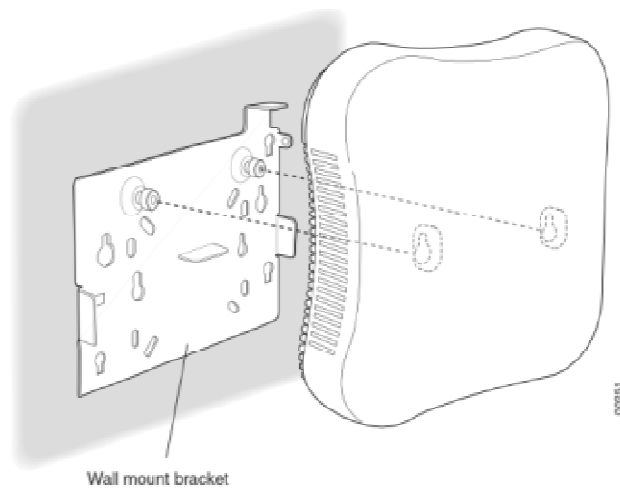
3

- > 1- The provided wall mount plate is attached to the wall
- > 2- The provided 15/16" T-Bar adapter is screwed to the wall mount plate
- > 3- Then, the 15/16" adapter is slid to the Access Point



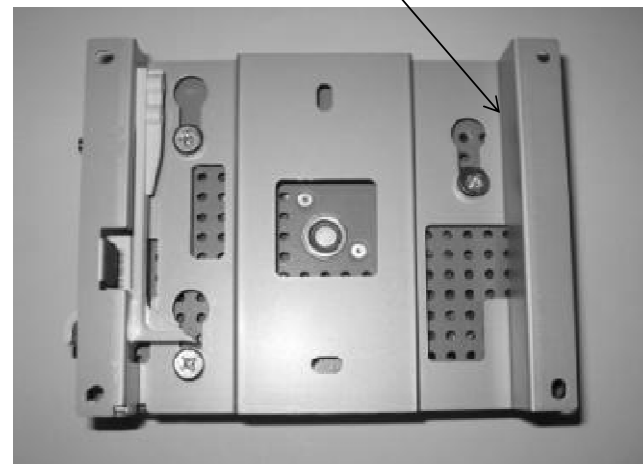
## 5. Vertically on a wall

- AP1000e/i wall mount bracket



AP1000i optional  
wall mount bracket

*Wall mount bracket*



AP1000e included  
wall mount bracket



## 5. Vertically on a wall

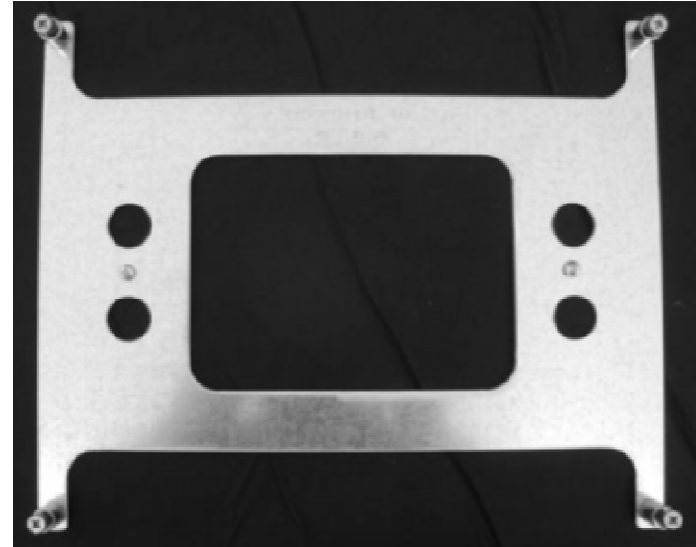
- What part do you need for wall mount bracket?
  - Lockable Wall Mount Kit for AP1000i MNT-WMKIT-01
  - Wall Mount Kit for AP1000e included
  - Wall Mount Kit for AP300 included
  - Wall Mount Kit for AP320i included
  - Wall Mount Kit for AP332 included
  - Wall Mount Kit for AP433 included





## 6. In a Hoffman Enclosure for AP300

- Custom Mounting Bracket for mounting AP300 in a Hoffman Enclosure
- [www.hoffmanonline.com](http://www.hoffmanonline.com)
- Part #: BHE01





## 7. On a Shelf

- When mounting an AP horizontally, remove the mounting bracket if present.
- If there are antennas, be sure to position the antennas vertically when an AP sits on a surface.

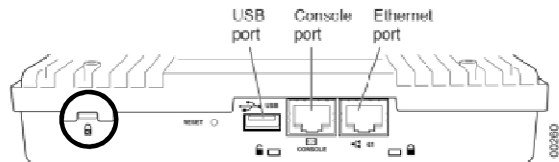


## 8- Kensington Lock

- Available on AP300, AP320i, AP332, AP433 and AP1000e.
- Not available on AP1000i

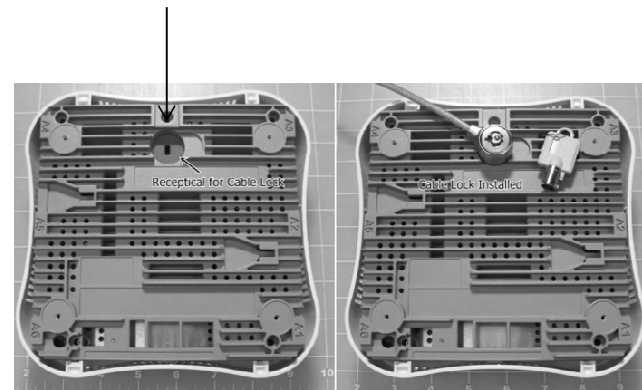


Lock AP1000e with  
Kensington lock (not provided)



Lock AP433 with Kensington lock  
(Not provided)

Receptacle for  
Kensington lock

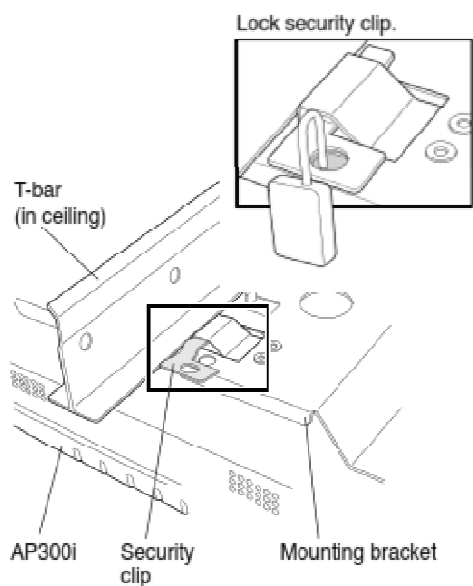


Lock AP332e/i with Kensington lock  
(Not provided)



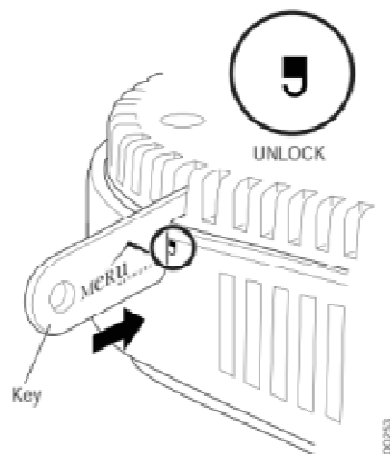
## 8- Locking AP320i, AP1000i, and AP433 to a Ceiling

AP320i



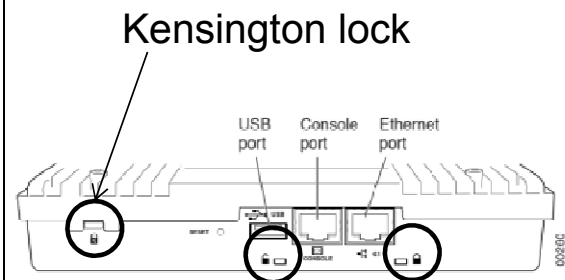
Lock AP320i  
with security key  
and a lock (not provided)

AP1000i



Lock AP1000i with  
provided locking key

AP433



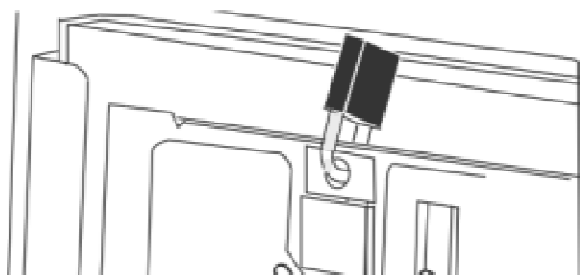
Lock AP433 with provided  
locking key.

A Kensington lock is also  
available



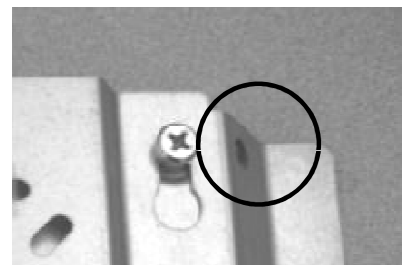
## 8- Locking AP320i to a Wall

AP320i before Rev. N



Lock AP320i (old mounting kit) with shipped wall mounting kit, and a lock (not provided)

AP320i as of Rev. N

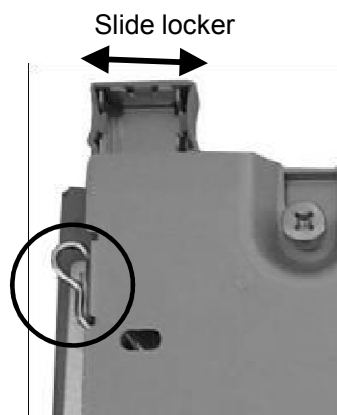


Lock AP320i (new mounting kit as of rev. N) with shipped wall mounting kit, and a lock pad (not provided)



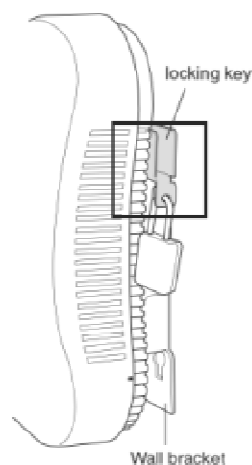
## 8- Locking AP433 and AP1000 to a Wall

AP433



Lock AP433 with shipped wall mounting kit and locking clip. A lock pad (not provided) can be used instead of the clip.

AP1000i



Lock AP1000i with wall Mounting kit\* and a lock (not provided)

*\*Wall mounting kit is optional for AP1000i*

AP1000e



Lock AP1000e with wall Mounting kit and a lock pad (not provided)

## Mounting Kits Summary

	AP300	AP320i old Mounting Kit	AP320i new Mounting Kit (as of rev. N)	AP332e/i	AP433	AP1000e	AP1000i
Regular Suspended Ceiling 15/16" T-Bar	Option	Included	Included	Included	Included	Included	Included
9/16" T-Bars				Included			
Narrow T-Bars and Recessed Ceiling		Option <sup>(1)</sup>	Option <sup>(1)</sup>	Option	Option	Option	Option
Interlude / Silhouette			Option	Option	Option	Option	Option
Above Ceiling	Option	Option	Option	Option	Option	Option	Option
Plenum Option	Yes	No	No	Yes (AP332e only)	Yes (AP433e only)	Yes	No
Wall Mount	Included	Included	Included	Included	Included	Included	Option
Hoffman Enclosure	Option						
Kensington Lock	Yes	Yes	Yes	Yes	Yes	Yes	No
Ceiling Lockable		Included <sup>(2)</sup> (Lock pad)	Included <sup>(2)</sup> (Lock pad)		Included (Lock key)		Included (Lock key)
Wall Lockable		Included <sup>(2)</sup> (Lock pad)	Included <sup>(2)</sup> (Lock pad)		Included <sup>(3)</sup> (clip or lock pad)	Included <sup>(2)</sup> (Lock pad)	Option <sup>(4)</sup> (Lock pad)

<sup>(1)</sup> new and old AP320i Mounting Kits have different optional recessed ceiling brackets

<sup>(2)</sup> requires an additional lock pad.

<sup>(3)</sup> a locking clip is provided with the AP433 and can be replaced by a lock pad if necessary.

<sup>(4)</sup> included in the optional Wall Mounting Kit. Requires an additional lock pad.



**Thank You**

